

DATASHEET OIL/WATER SEPARATOR

Model: ecoTop NS03

ecoTOP

Item no.: 101494

OIL/WATER SEPARATOR - TECHNICAL PROPERTIES

Dimensions	Maximum Flow Rate*	Outlet Pipe Size (OD)	Maximum Liquid Temperature	Dry Weight
49.2 x 32.2 x 45.3 in	50.0 gpm	DN150 (6.3 in)	131 °F	ca. 330 lbs
1250 x 820 x 1150 mm	3.0 l/s	DN150 (160 mm)	55 °C	ca. 150 kg

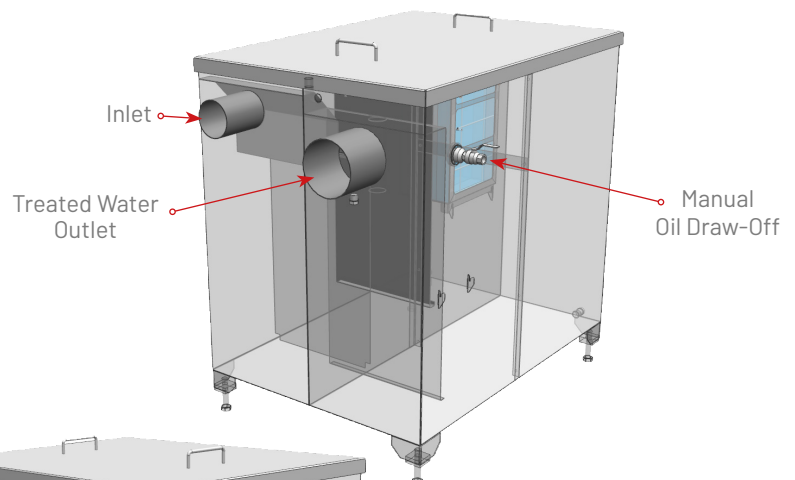
* depending on project parameters

COALESCING MEDIA

Number of Cartridges	Cartridge Dimensions	Panels per Cartridge	Panel Dimension	Effective Surface
1	19.7 x 11.8 x 7.9 in	4	19.7 x 11.8 x 2.0 in	96.9 ft ²
	500 x 300 x 200 mm		500 x 300 x 50 mm	9.0 m ²

OIL STORAGE

Oil Storage Capacity	Maximum Oil Layer Height
approx. 54.7 gal	7.9 in
approx. 207 l	230 mm



MATERIALS

Stainless Steel	1.4301 grade 304
------------------------	--------------------

APPLICABLE STANDARD | EN858

