

# DATASHEET SPILL CONTROL VALVE

Model: ecoStop NS20

ecOSTOP

Item no.: 100759

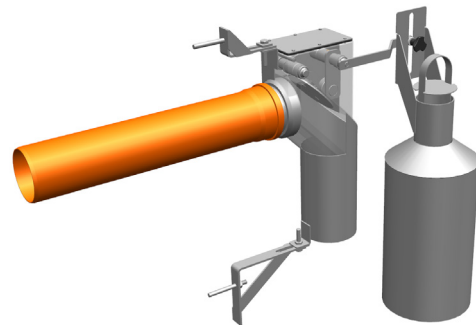
## SPILL CONTROL VALVE - TECHNICAL PROPERTIES

Dimensions	Maximum Flow Rate*	Outlet Pipe Size (OD)	Closing Force	Dry Weight
56.7 x 14.2 x 34x.6 in	317.0 gpm	DN200 (7.9 in)	72.5 psi	ca. 88 lbs
1440 x 360 x 880 mm	20.0 l/s	DN200 (200 mm)	up to 0.5 bar	ca. 40 kg

\* depending on project parameters

## AUTOMATIC SHUT-OFF VALVE

Power Source	Maximum Oil Layer Height	Calibrated specific oil gravity
Mechanical	9.1 in	0.85 kg/m <sup>3</sup>
	230 mm	



## MATERIALS

Stainless Steel	1.4301   grade 304
PVC-U	

## APPLICABLE STANDARD | EN858