

DATASHEET SPILL CONTROL VALVE

Model: ecoStop NS10

ecOSTOP

Item no.: 100758

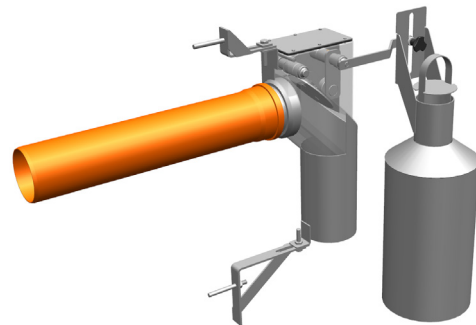
SPILL CONTROL VALVE - TECHNICAL PROPERTIES

Dimensions	Maximum Flow Rate*	Outlet Pipe Size (OD)	Closing Force	Dry Weight
48.2 x 12.4 x 31.3 in	158.5 gpm	DN150 (6.3 in)	72.5 psi	ca. 71 lbs
1225 x 315 x 795 mm	10.0 l/s	DN150 (160 mm)	up to 0.5 bar	ca. 32 kg

* depending on project parameters

AUTOMATIC SHUT-OFF VALVE

Power Source	Maximum Oil Layer Height	Calibrated specific oil gravity
Mechanical	9.1 in	0.85 kg/m ³
	230 mm	



MATERIALS

Stainless Steel	1.4301 grade 304
PVC-U	

APPLICABLE STANDARD | EN858