

# DATASHEET SPILL CONTROL VALVE

Model: ecoStop NS03

ecOSTOP

Item no.: 100757

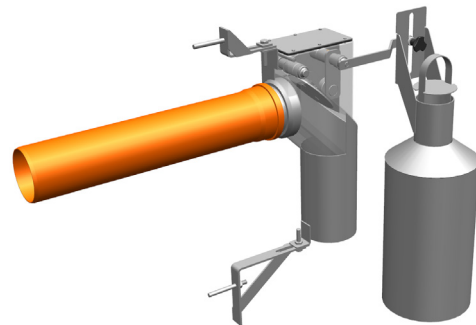
## SPILL CONTROL VALVE - TECHNICAL PROPERTIES

Dimensions	Maximum Flow Rate*	Outlet Pipe Size (OD)	Closing Force	Dry Weight
41.1 x 11.4 x 28.3 in	47.6 gpm	DN100 (4.3 in)	72.5 psi	ca. 55 lbs
1045 x 290 x 720 mm	3.0 l/s	DN100 (110 mm)	up to 0.5 bar	ca. 25 kg

\* depending on project parameters

## AUTOMATIC SHUT-OFF VALVE

Power Source	Maximum Oil Layer Height	Calibrated specific oil gravity
Mechanical	9.1 in	0.85 kg/m <sup>3</sup>
	230 mm	



## MATERIALS

Stainless Steel	1.4301   grade 304
PVC-U	

## APPLICABLE STANDARD | EN858